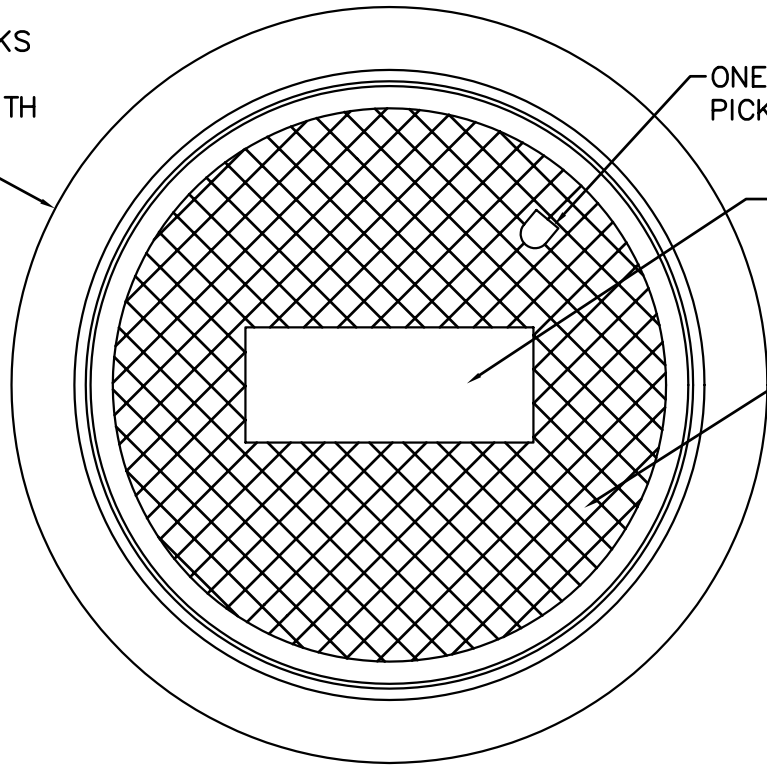


PHOENIX IRON WORKS
 STD. P-1090
 MANHOLE COVER WITH
 P-1001 MANHOLE
 FRAME OR EQUAL



ONE MAN BLIND
 PICK HOLE

3" LETTERS
 SEE LETTERING
 DETAILS BELOW

SKID RESISTANT
 DIAMOND TREAD
 PATTERN

PLAN

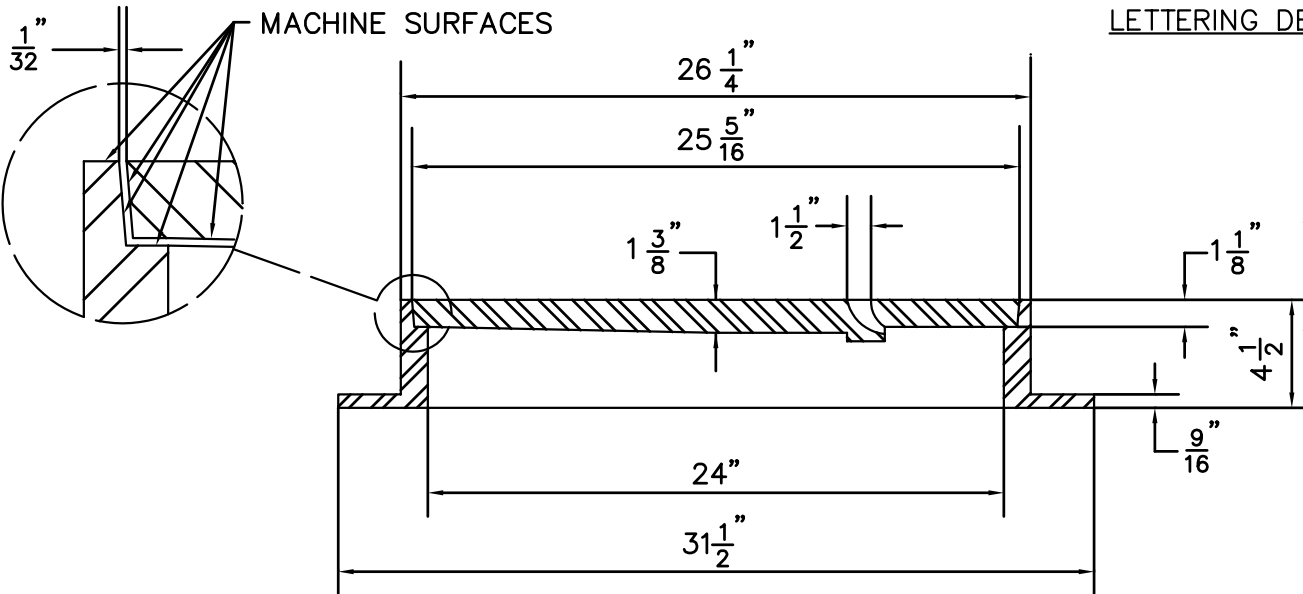
SANITARY
 SEWER

DISTRICT MAINTAINED MANHOLES
 (IN PUBLIC RIGHT OF WAY OR EASEMENT)

SMH

PRIVATE AND SAMPLING MANHOLES
 (MANHOLES NOT DISTRICT MAINTAINED)

LETTERING DETAILS



SECTION

NOTES:

- 1) CAST IRON FOR FRAME AND COVER SHALL BE CLASS 30 MINIMUM PER ASTM A-48.
- 2) COVERS SHALL BE H-20 LOADING AND SHALL NOT EXCEED 145 POUNDS IN WEIGHT.
- 3) THE FRAME AND COVER SHALL BE PAINTED OR DIPPED IN ASPHALT PRIOR TO LEAVING FOUNDRY.

WEST BAY
 SANITARY DISTRICT

MANHOLE FRAME AND COVER

APPROVED BY:

TIMOTHY CLAYTON
 DISTRICT MANAGER

4/18/2005
 DATE:

1