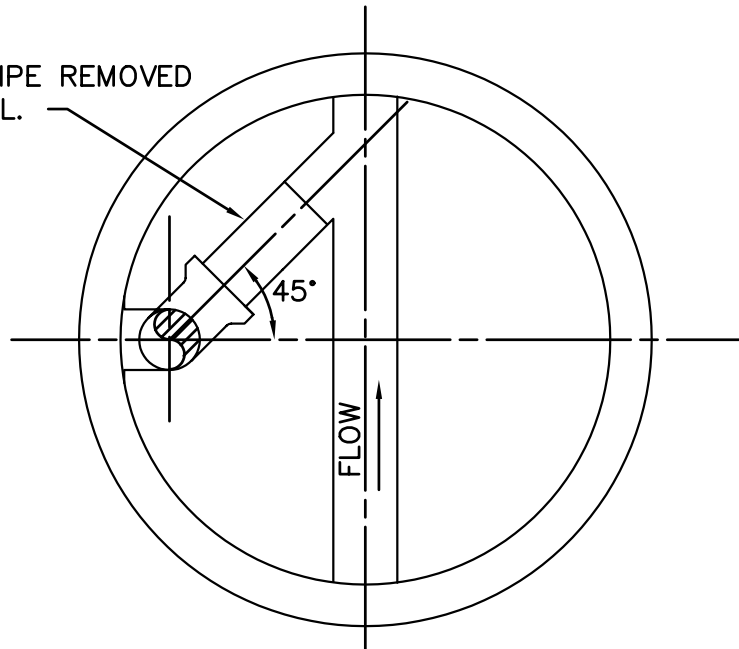


TOP 1/2 PIPE REMOVED  
BEYOND ELL.



**NOTE:**

1. ALL INSIDE DROP PIPING TO BE SAME SIZE AND MATERIAL AS EXTERNAL PIPE, UNLESS APPROVED BY DISTRICT.
2. AN APPROVED WATER STOP SHALL BE INSTALLED ON ALL FLEXIBLE PIPE ENTERING OR EXITING SAMPLING MANHOLE.

**WEST BAY**  
SANITARY DISTRICT

STANDARD INSIDE DROP MANHOLES  
(4", 6" AND 8" DIAMETER PIPES ONLY)

APPROVED BY:

TIMOTHY CLAYTON  
DISTRICT MANAGER

4/18/2005  
DATE:

5