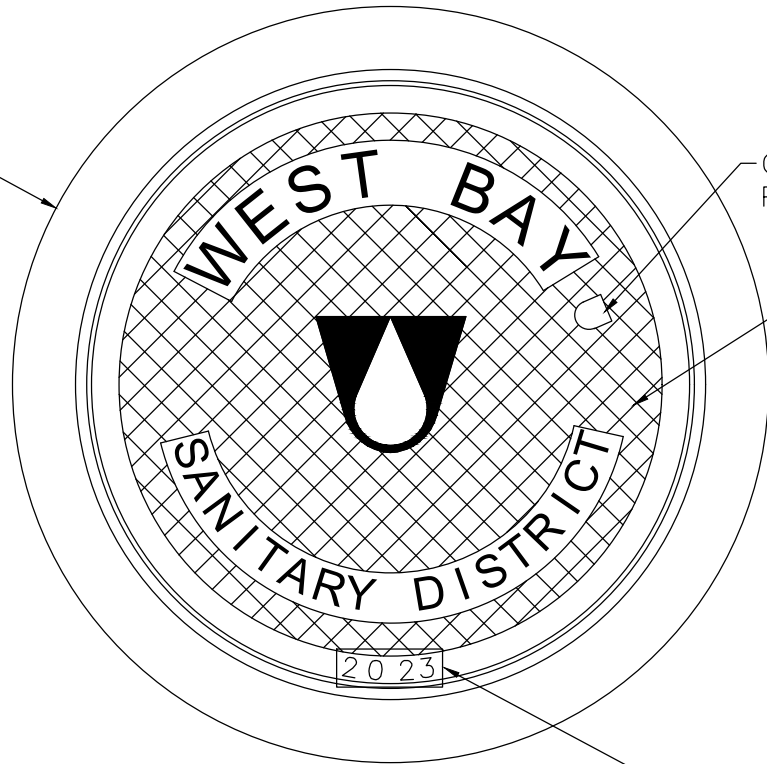


D&L FOUNDRY  
STD. A-1024  
MANHOLE RING  
AND COVER OR  
APPROVED EQUAL.

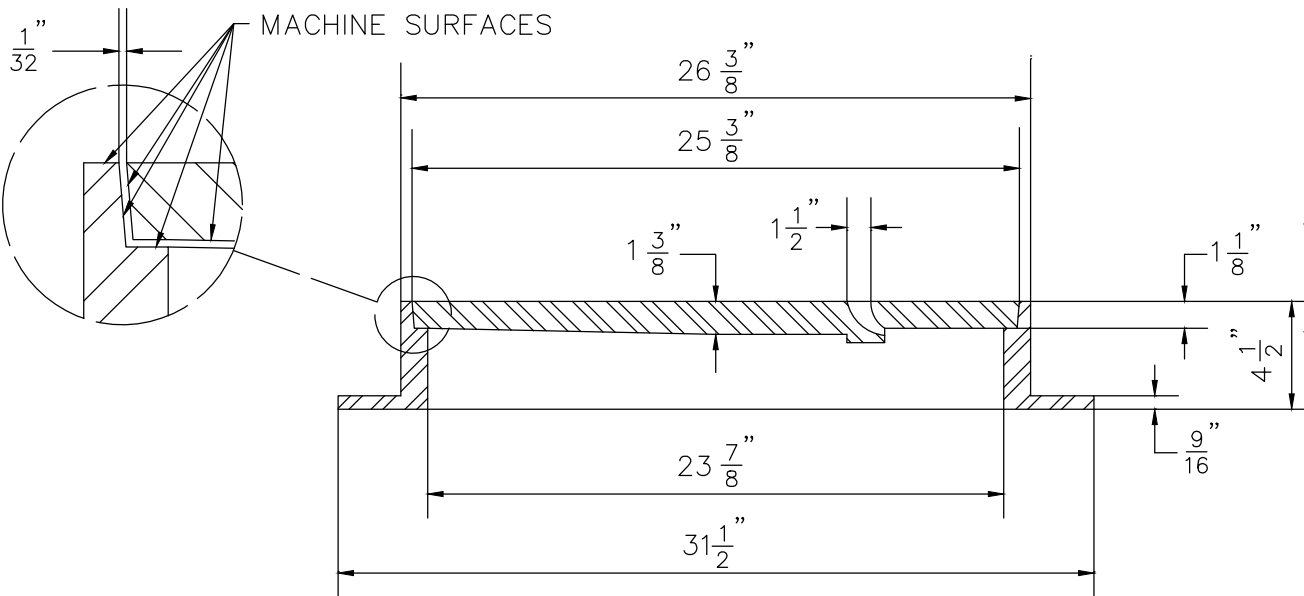


ONE MAN BLIND  
PICK HOLE

SKID RESISTANT  
DIAMOND TREAD  
PATTERN

20 23

INSTALL CURRENT YEAR



SECTION

NOTES:

- 1) CAST IRON FOR FRAME AND COVER SHALL BE CLASS 30 MINIMUM PER ASTM A-48.
- 2) COVERS SHALL BE H-20, FULL VEHICULAR TRAFFIC LOADING, RATED AND SHALL NOT EXCEED 145 POUNDS IN WEIGHT.
- 3) THE FRAME AND COVER SHALL BE PAINTED OR DIPPED IN ASPHALT PRIOR TO LEAVING FOUNDRY.

**WEST BAY**  
SANITARY DISTRICT

MANHOLE FRAME AND COVER

APPROVED BY:

/S/ - SERGIO RAMIREZ  
GENERAL MANAGER

06-28-23  
DATE: