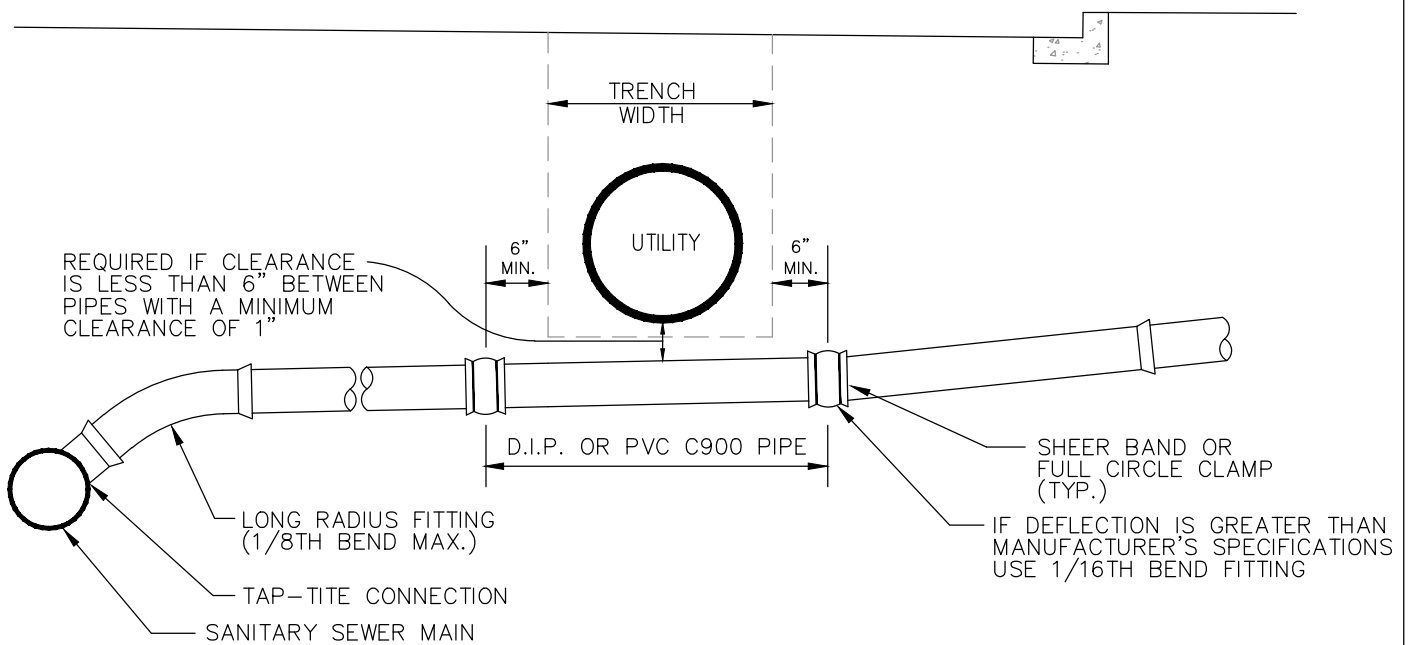


TYPICAL LATERAL CROSSING OVER UTILITY (EXCLUDING WATER)



TYPICAL LATERAL CROSSING UNDER UTILITY (EXCLUDING WATER)

NOTE:

1) D.I.P. PIPE SHALL BE CLASS 50 OR 51, OR PVC PIPE SHALL BE C-900 DR 18.

WEST BAY	
SANITARY DISTRICT	
SANITARY SEWER LATERAL UTILITY CROSSINGS (EXCLUDING WATER)	
APPROVED BY:	
/S/ - SERGIO RAMIREZ	06-28-23
GENERAL MANAGER	DATE: