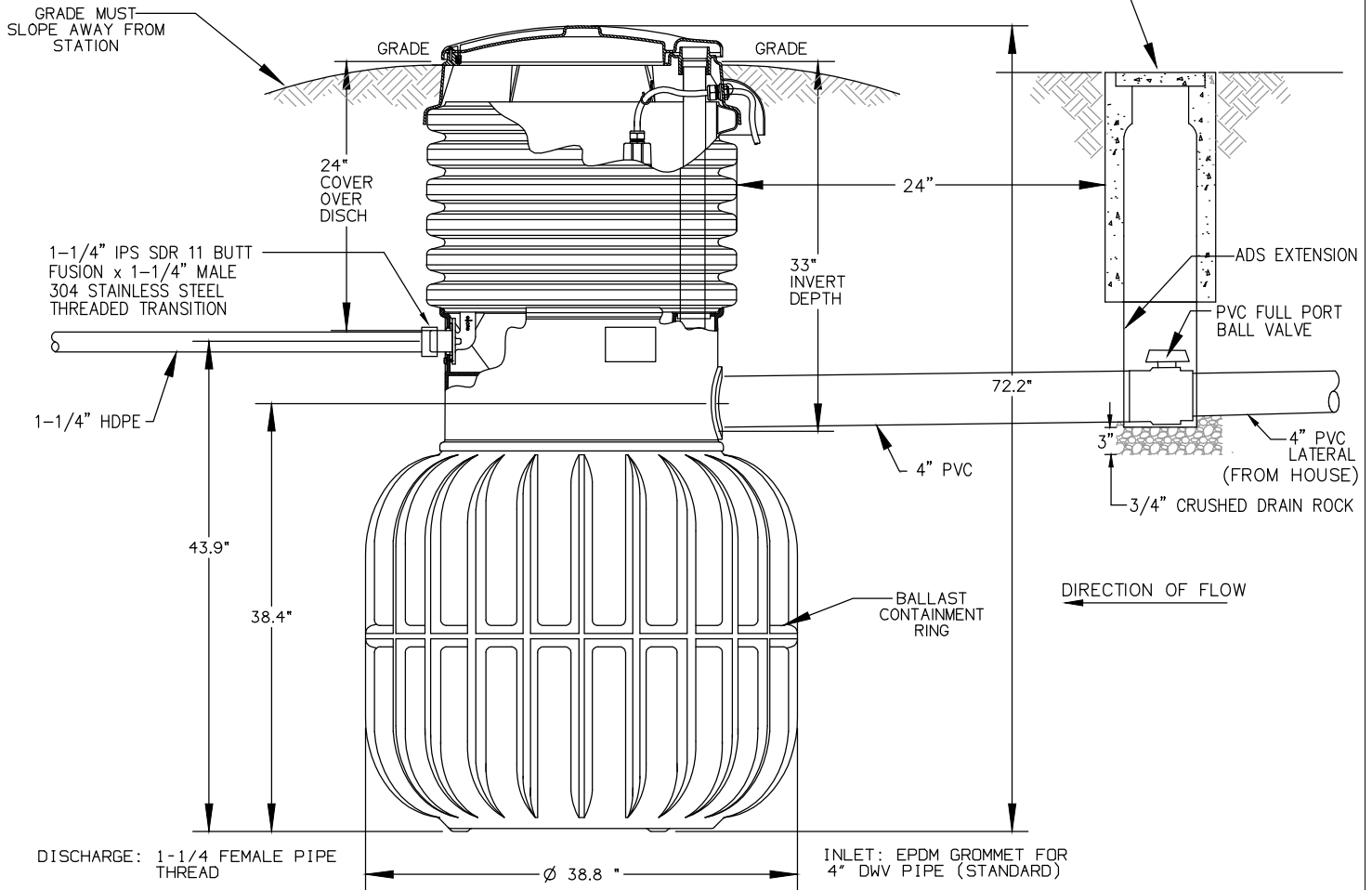


VALVE BOX 8-1/2" I.D. X 18" HIGH (CHRISTY BOX F-14 OR EQUAL)
 REINFORCED CONCRETE, FIBRELYTE, OR CAST IRON LID IN NON-TRAFFIC AREAS
 (CHRISTY F8D, FL8D, F8C OR EQUAL)
 VALVE BOX 10" I.D. X 12" HIGH IN TRAFFIC AREAS (CHRISTY G3 OR EQUAL)
 CAST IRON LID IN TRAFFIC AREAS (CHRISTY G3C OR EQUAL)



NOTES:

1. PUMP SHALL BE ENVIRONMENT ONE MODEL DH151-74 WITH POURED-IN-PLACE CONCRETE ANCHOR. LOCAL REPRESENTATIVE: SHAPE INCORPORATED (209) 234-5909
2. PUMP SHALL BE INSTALLED PER MANUFACTURER'S RECOMMENDATIONS.
3. SEE SINGLE FAMILY GRINDER PUMP INFORMATION DETAIL FOR PUMP ANCHOR DETAIL.
4. SEE 1-1/4 INCH LATERAL CHECK VALVE STATION DETAIL FOR DISCHARGE LINE VALVE REQUIREMENTS.
5. CONTRACTOR SHALL SUPPLY DISTRICT WITH HANDLE TO TURN PVC BALL VALVE.
6. CONTROL PANEL SUPPLIED BY ORENCO (PER WEST BAY DETAIL #17).
7. IF THE HOMEOWNER HAS AN ON-SITE PUMP SYSTEM THAT PUMPS INTO THE GRINDER PUMP, THE HOMEOWNER SHALL NOTIFY THE DISTRICT WHEN APPLYING FOR PERMIT. ADDITIONAL REQUIREMENTS SPECIFIC TO THE PROJECT WILL BE APPLIED. THE PUMP SHALL NOT EXCEED CAPACITY OF THE GRINDER PUMP.
8. OWNER SHALL PROVIDE A SPARE GRINDER PUMP TO THE DISTRICT.

WEST BAY SANITARY DISTRICT	
SINGLE FAMILY GRINDER PUMP INSTALLATION DETAIL	
APPROVED BY:	
/S/ - SERGIO RAMIREZ	06-28-23
GENERAL MANAGER	DATE: