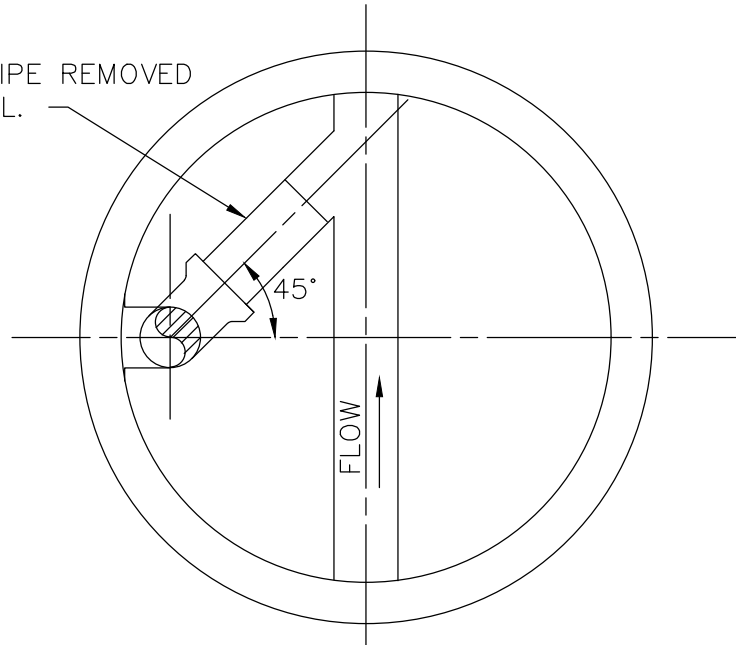


TOP 1/2 PIPE REMOVED
BEYOND ELL.



NOTE:

1. ALL INSIDE DROP PIPING TO BE SAME SIZE AND MATERIAL AS EXTERNAL PIPE, UNLESS APPROVED BY DISTRICT.
2. AN APPROVED WATER STOP SHALL BE INSTALLED ON ALL FLEXIBLE PIPE ENTERING OR EXITING MANHOLE.
3. SEE DETAIL 3 AND 4 FOR MANHOLE DETAIL.

WEST BAY
SANITARY DISTRICT

STANDARD INSIDE DROP MANHOLES
(4", 6" AND 8" DIAMETER PIPES ONLY)

APPROVED BY:

/S/ - SERGIO RAMIREZ
GENERAL MANAGER

06-28-23
DATE: