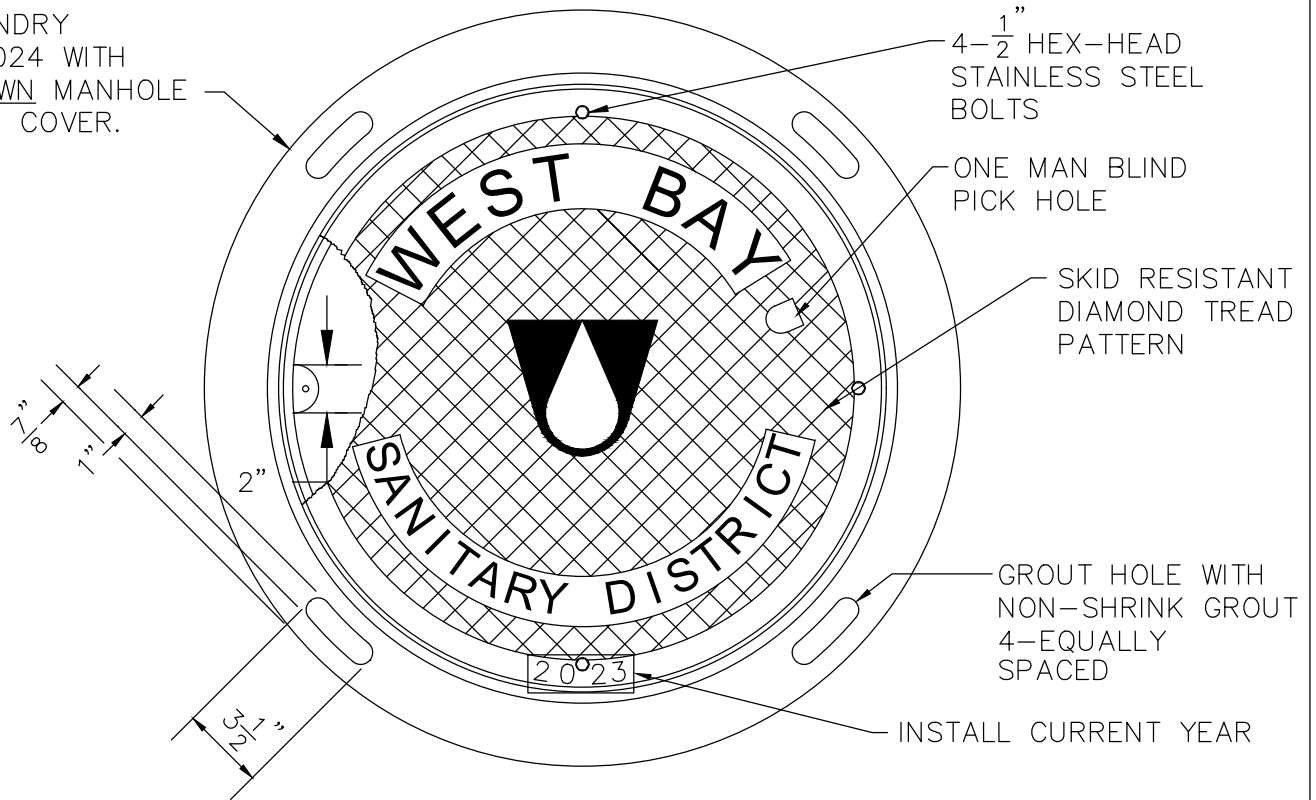
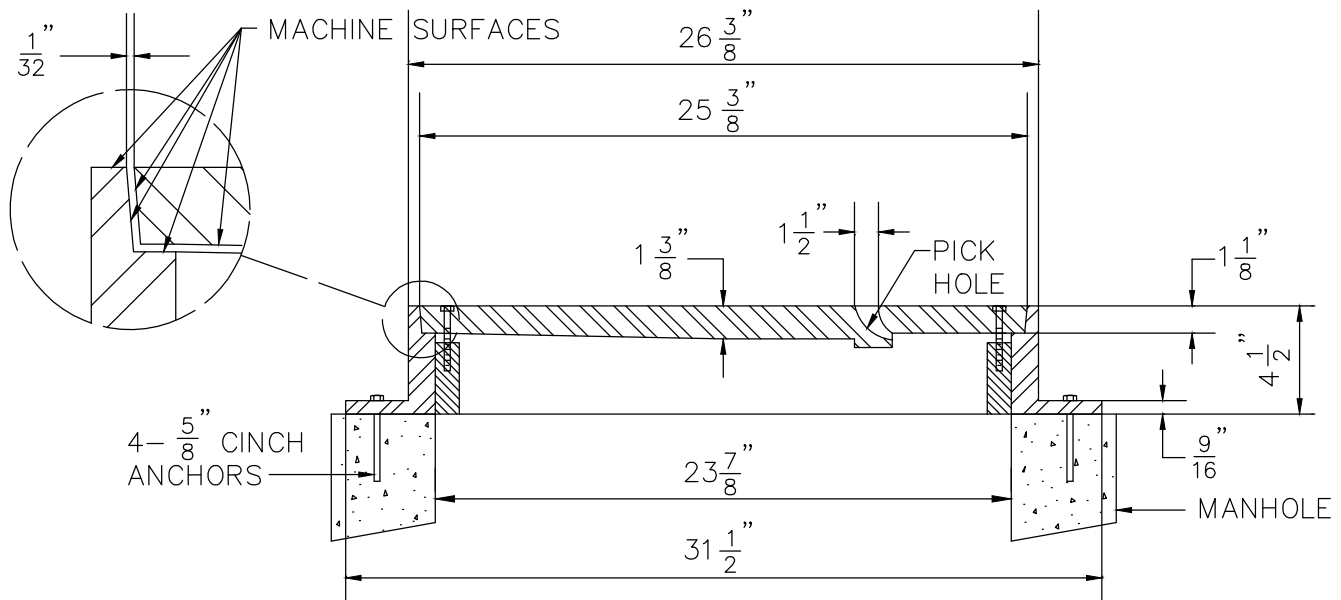


D&L FOUNDRY
 STD A-1024 WITH
 BOLT-DOWN MANHOLE
 RING AND COVER.



PLAN

OPTION OF MANHOLE
 RIM WITH HINGE AND
 J-BOLT LOCK IN LIEU
 OF 4 BOLTS



SECTION

NOTES:

1) ALL MATERIAL SHALL CONFORM TO ASTM SPECIFICATION A-159-70T-G3000.

2) COVERS SHALL BE H-20, FULL VEHICULAR TRAFFIC LOADING, RATED AND SHALL NOT EXCEED 145 POUNDS IN WEIGHT.

WEST BAY
 SANITARY DISTRICT

SCREW DOWN TYPE
 MANHOLE FRAME AND COVER

APPROVED BY:

/S/ - SERGIO RAMIREZ
 GENERAL MANAGER

06-28-23
 DATE: