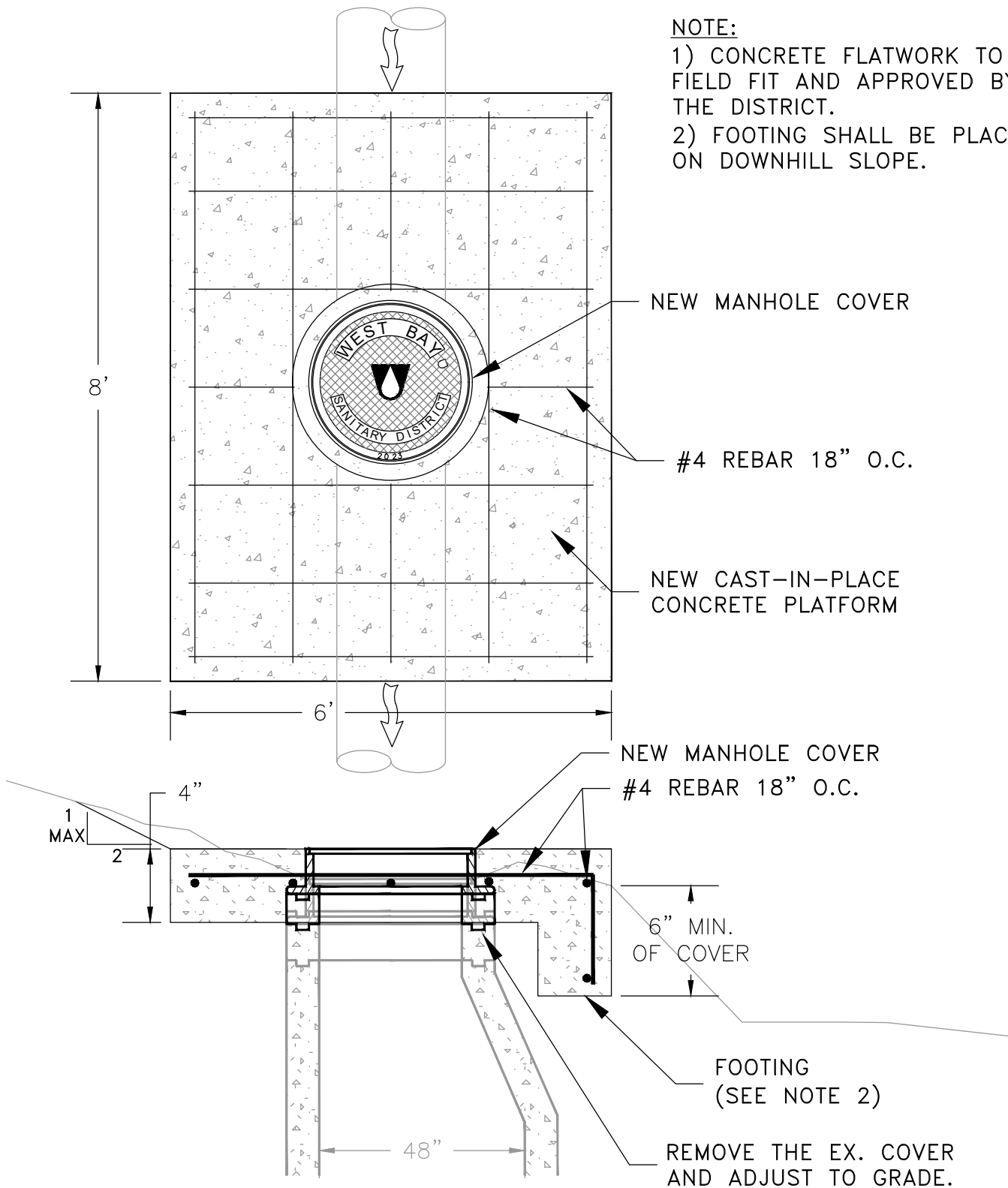


NOTE:

- 1) CONCRETE FLATWORK TO BE FIELD FIT AND APPROVED BY THE DISTRICT.
- 2) FOOTING SHALL BE PLACED ON DOWNHILL SLOPE.



WEST BAY
SANITARY DISTRICT

CONCRETE PLATFORM – NON PAVED AREAS

APPROVED BY:

/S/ – SERGIO RAMIREZ
GENERAL MANAGER

06-28-23
DATE: