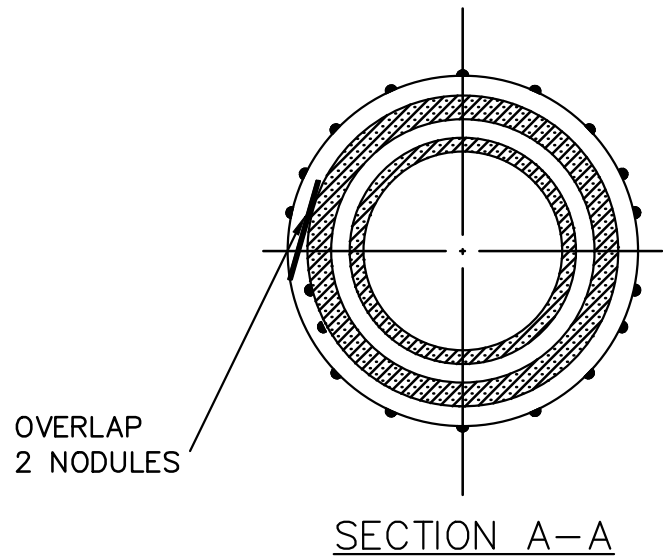


ROOT CONTROL SYSTEM SHALL BE BIOBARRIER OR EQUAL, INSTALLED PER MANUFACTURER RECOMENDATION



APPLICATION (ALL JOINTS):

- 1) ALL NEW MAIN SEWER PROJECTS.
- 2) ALL NEW OR REPLACEMENT SANITARY SEWER LATERAL CONNECTIONS.
- 3) SANITARY SEWER LATERAL REPAIRS.

WEST BAY SANITARY DISTRICT	
ROOT CONTROL SYSTEM	
APPROVED BY:	
/s/ - PHIL SCOTT	06-24-15
DISTRICT MANAGER	DATE: