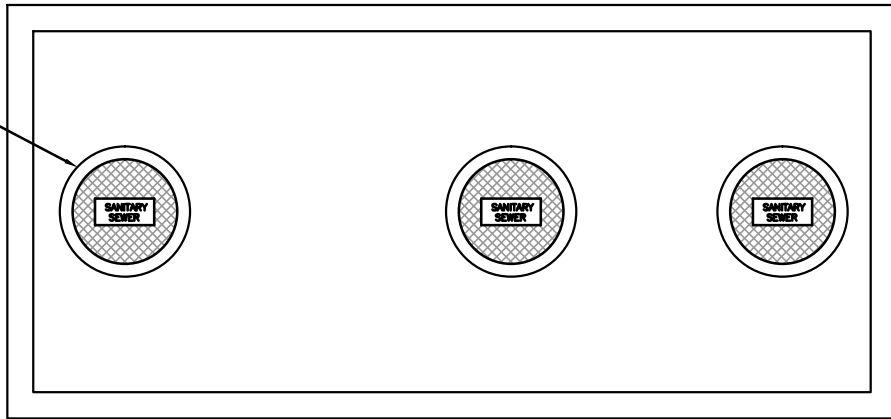
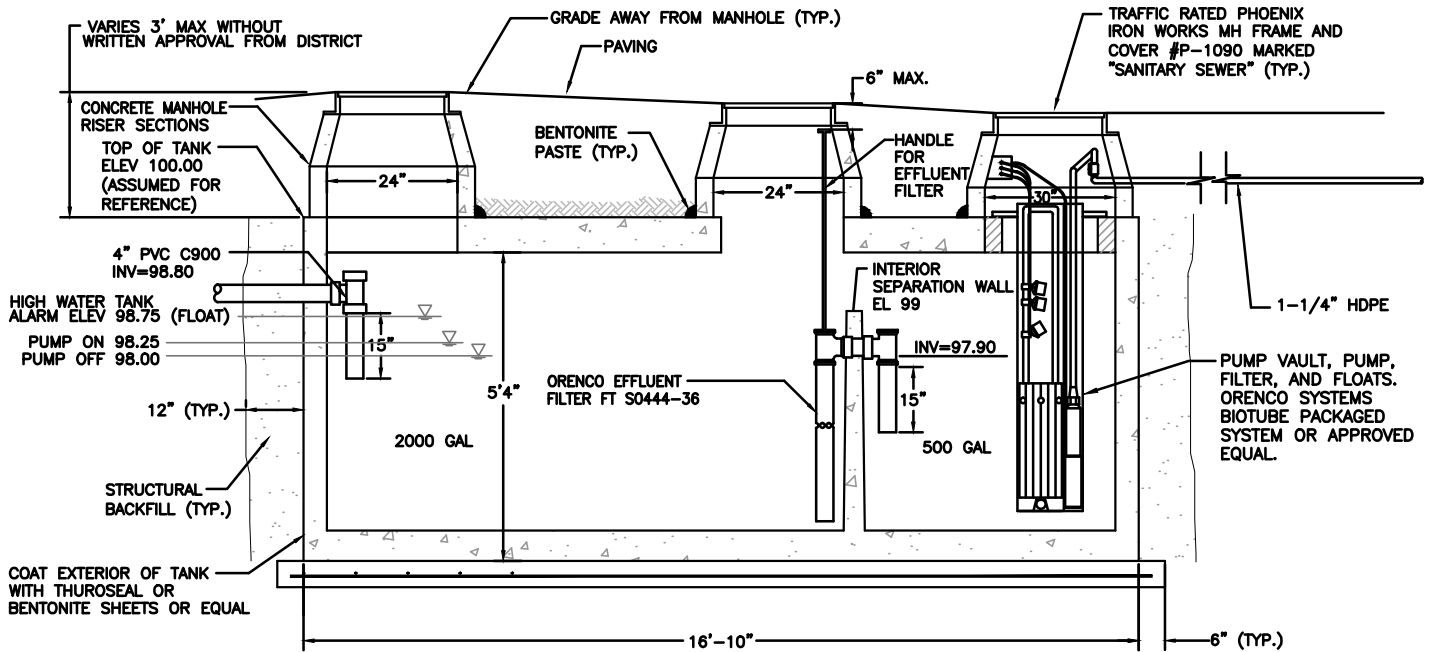


TRAFFIC RATED PHOENIX IRON WORKS MH FRAME AND COVER #P-1090 MARKED "SANITARY SEWER" (TYP.)

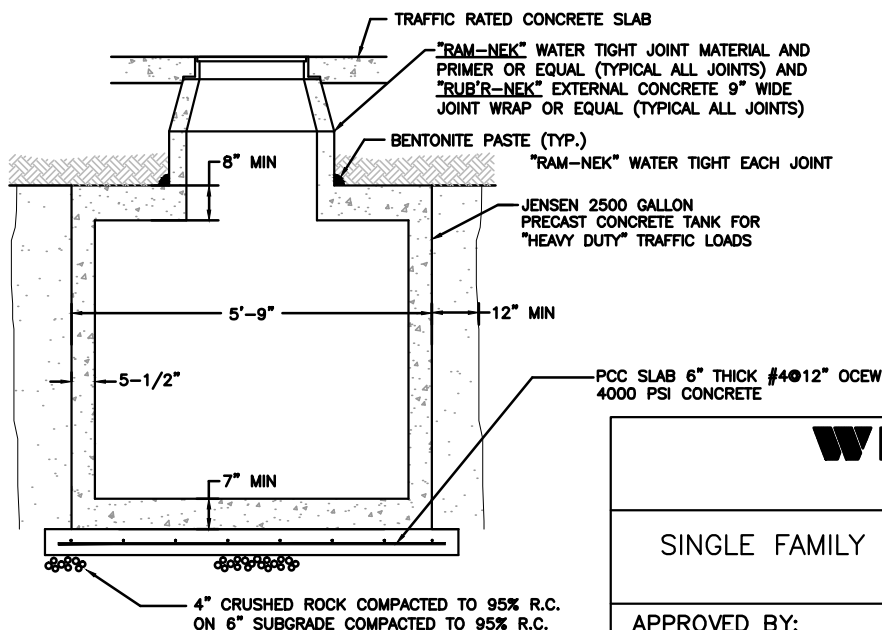


PCC SLAB

PLAN VIEW
NOT TO SCALE



LONGITUDINAL TANK CROSS SECTION
NOT TO SCALE



NOTE:

TANK SHALL BE A TWO COMPARTMENT PRECAST CONCRETE TANK WITH THREE MANHOLES AND GAS-TIGHT LIDS. THE SEDIMENT COMPARTMENT SHALL HAVE 2000 GAL. CAPACITY AND THE EFFLUENT COMPARTMENT SHALL HAVE 500 GAL. CAPACITY.

WEST BAY
SANITARY DISTRICT

SINGLE FAMILY SEPTIC TANK EFFLUENT PUMPING (STEP) SYSTEM

APPROVED BY:

/S/ - PHIL SCOTT
DISTRICT MANAGER

06-24-15
DATE:

TYPICAL TANK CROSS SECTION
NOT TO SCALE