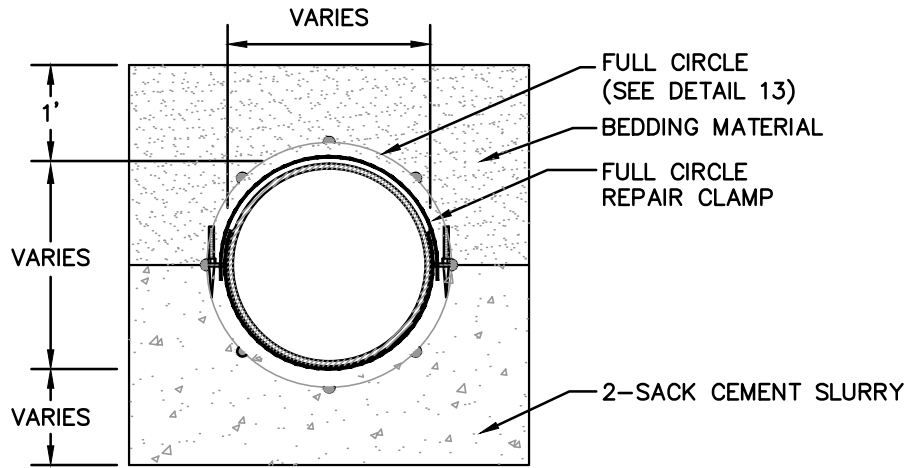


PLAN



SECTION

NOTE:

1. REPAIR SLEEVE SHALL BE STAINLESS STEEL FULL CIRCLE ROCKWELL 228, 3 BAND, 20" WIDE CLAMP OR EQUAL.

WEST BAY
SANITARY DISTRICT

REPAIR COUPLING FOR 15" DIAMETER AND LARGER PIPE

APPROVED BY:

/s/ - PHIL SCOTT

DISTRICT MANAGER

06-24-15

DATE:

25